



**AVERY
DENNISON**

Fastener
Solutions

7.5" Push Mount Cable Ties Marketing Specifications

For the following part numbers:

08414-0

08445-0

08446-0

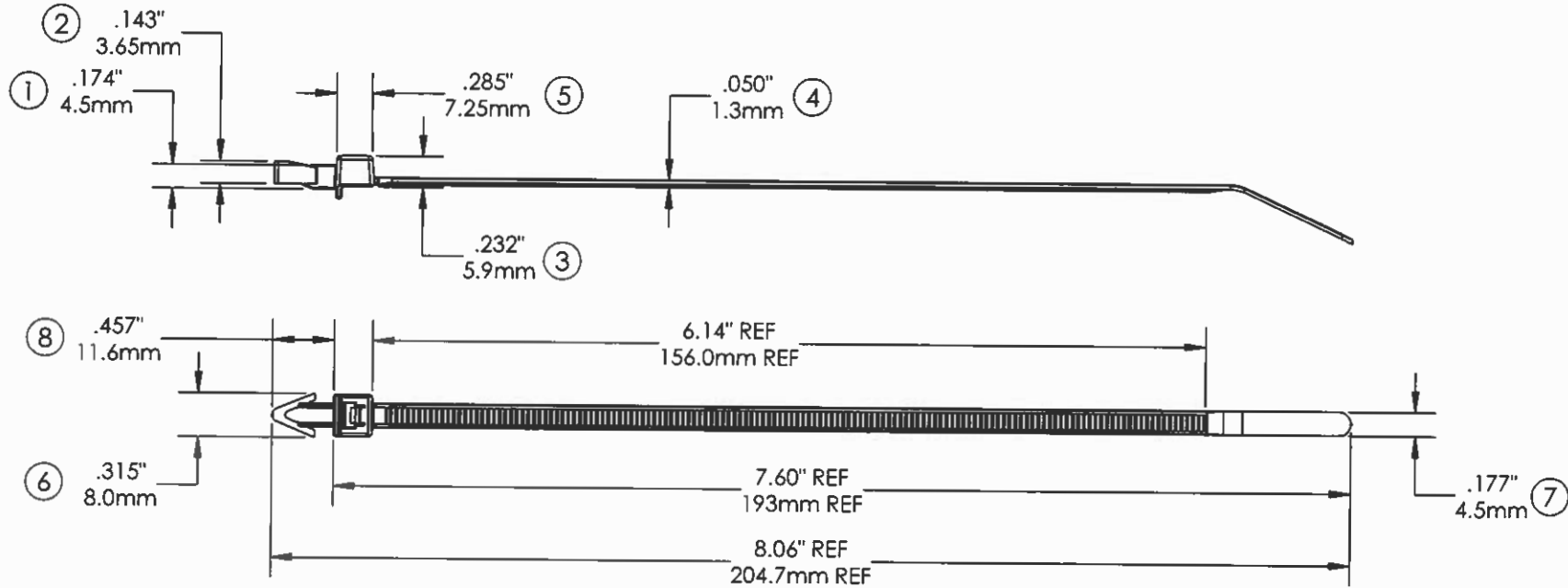
June 10, 2019

AVERY DENNISON MARKETING SPECIFICATION

HISTORY

REV.	DATE	DESCRIPTION
N	5.29.19	REDRAWN IN NEW FORMAT

THE SUBJECT MATTER DISCLOSED HEREIN EMBODIES PROPRIETARY INFORMATION WHICH IS THE CONFIDENTIAL PROPERTY OF THE AVERY DENNISON CO. NONE OF WHICH SHALL BE COPIED, REPRODUCED, DISCLOSED TO OTHERS, PUBLISHED OR USED IN WHOLE OR IN PART, FOR ANY PURPOSE OTHER THAN THAT FOR WHICH IT IS BEING MADE AVAILABLE WITHOUT THE EXPRESS ADVANCE WRITTEN PERMISSION OF A DULY AUTHORIZED AGENT OF THE COMPANY. THIS DOCUMENT IS THE PROPERTY OF THE AVERY DENNISON CO. AND IS TO BE RETURNED TO THE COMPANY ON DEMAND.



9	Δ FLAMMABILITY RATING:	HB RATED PER FMVSS302
10	Δ LOOP TENSILE STRENGTH:	50 LBF/ 220N MIN PER AS-23190
	OPERATING TEMP RANGE:	-40°F (-40°C) TO 185°F TO (85°C)
	MIN. INSTALLATION TEMP:	32°F (0°C)
	WEIGHT:	.0454 OZ / 1.31 GM
	BUNDLE DIAMETER:	1.59MM - 44MM
	MOUNTING:	Ø1/4" HOLE IN 1/8" MAX THICK PANEL
	TOOL:	12001 - HAND INSTALLATION TOOL 12500 - PNEUMATIC INSTALLATION TOOL
	TOOL SETTING:	6 - 8
	PACKAGING:	1000/BAG, 5000/CASE

Δ = DENOTES SPECIAL CHARACTERISTICS



APPROVALS:	ENG. APPR. <i>Bert Uschold</i> 5.29.19
	Q.A. APPR. <i>Caitlin Vaillancourt</i> 5.29.19

SPECIFIED TOLERANCES ARE:		MATERIAL
.XX ± .03 INCHES	.X ± .7 mm	NYLON 6/6
.XXX ± .010 INCHES	.XX ± .25 mm	COLOR
ANGULAR: ± 2°		NATURAL

	FASTENER DIVISION FITCHBURG, MA 01420 U.S.A. TEL. 1-800-225-5913 FAX 978-353-8157
	DESCRIPTION 7.5" CABLE TIE, STANDARD, PUSH MOUNT

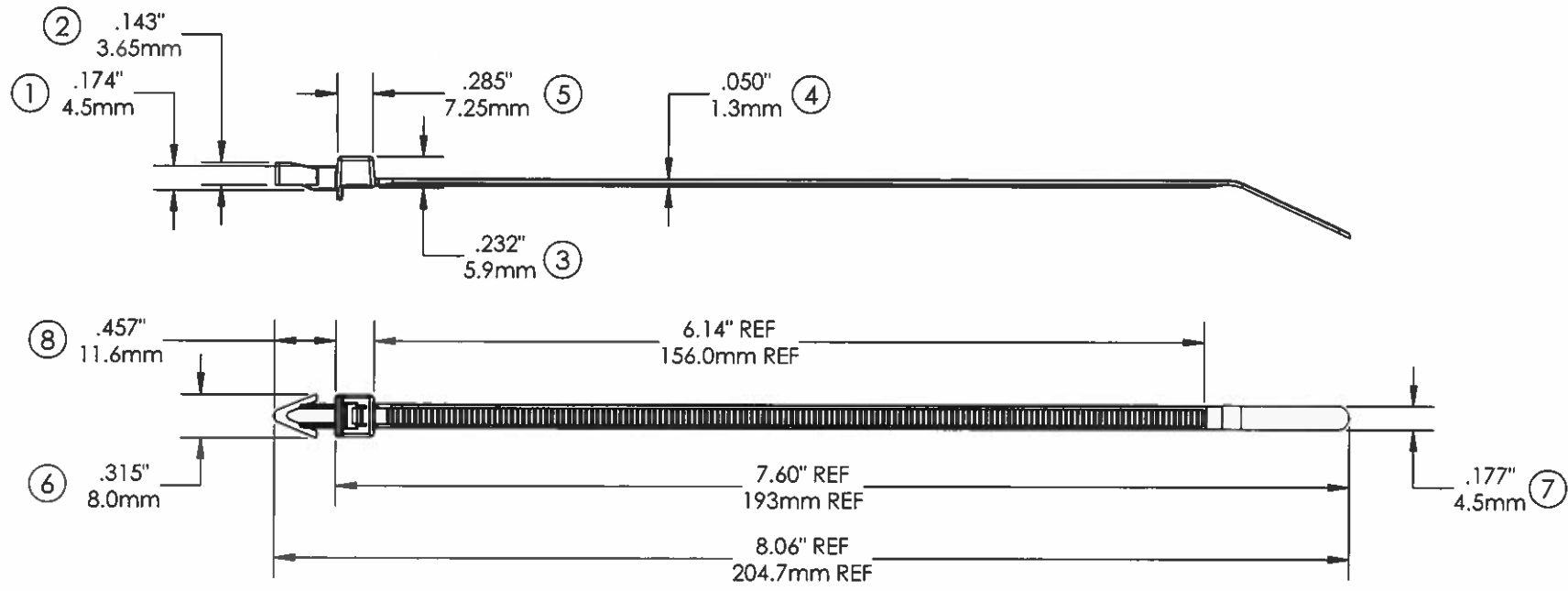
STOCK NO.	08414-0	REV.	N
-----------	----------------	------	----------

AVERY DENNISON MARKETING SPECIFICATION

HISTORY

REV.	DATE	DESCRIPTION
N	5.29.19	REDRAWN IN NEW FORMAT

THE SUBJECT MATTER DISCLOSED HEREIN EMBODIES PROPRIETARY INFORMATION WHICH IS THE CONFIDENTIAL PROPERTY OF THE AVERY DENNISON CO. NONE OF WHICH SHALL BE COPIED, REPRODUCED, DISCLOSED TO OTHERS, PUBLISHED OR USED IN WHOLE OR IN PART, FOR ANY PURPOSE OTHER THAN THAT FOR WHICH IT IS BEING MADE AVAILABLE WITHOUT THE EXPRESS ADVANCE WRITTEN PERMISSION OF A DULY AUTHORIZED AGENT OF THE COMPANY. THIS DOCUMENT IS THE PROPERTY OF THE AVERY DENNISON CO. AND IS TO BE RETURNED TO THE COMPANY ON DEMAND.



⑨	Δ FLAMMABILITY RATING:	HB RATED PER FMVSS302
⑩	Δ LOOP TENSILE STRENGTH:	50 LBF/ 220N MIN PER AS-23190
	OPERATING TEMP RANGE:	-40°F (-40°C) TO 220°F TO (105°C)
	MIN. INSTALLATION TEMP:	32°F (0°C)
	WEIGHT:	.0454 OZ / 1.31 GM
	BUNDLE DIAMETER:	1.59MM - 44MM
	MOUNTING:	Ø1/4" HOLE IN 1/8" MAX THICK PANEL
	TOOL:	12001 - HAND INSTALLATION TOOL 12500 - PNEUMATIC INSTALLATION TOOL
	TOOL SETTING:	6 - 8
	PACKAGING:	1000/BAG, 5000/CASE

Δ = DENOTES SPECIAL CHARACTERISTICS

APPROVALS:	ENG. APPR.	DATE
	<i>Bert Uschold</i>	5.29.19
	<i>Caitlin Vaillancourt</i>	5.29.19

SPECIFIED TOLERANCES ARE:	
.XX ± .03 INCHES	.X ± .7 mm
.XXX ± .010 INCHES	.XX ± .25 mm
ANGULAR: ± 2°	

MATERIAL	NYLON 6/6 HEAT STABILIZED
COLOR	BLACK

	FASTENER DIVISION FITCHBURG, MA 01420 U.S.A. TEL. 1-800-225-5913 FAX. 978-353-8157
	DESCRIPTION 7.5" CABLE TIE, STANDARD, PUSH MOUNT
STOCK NO. 08445-0	REV. N

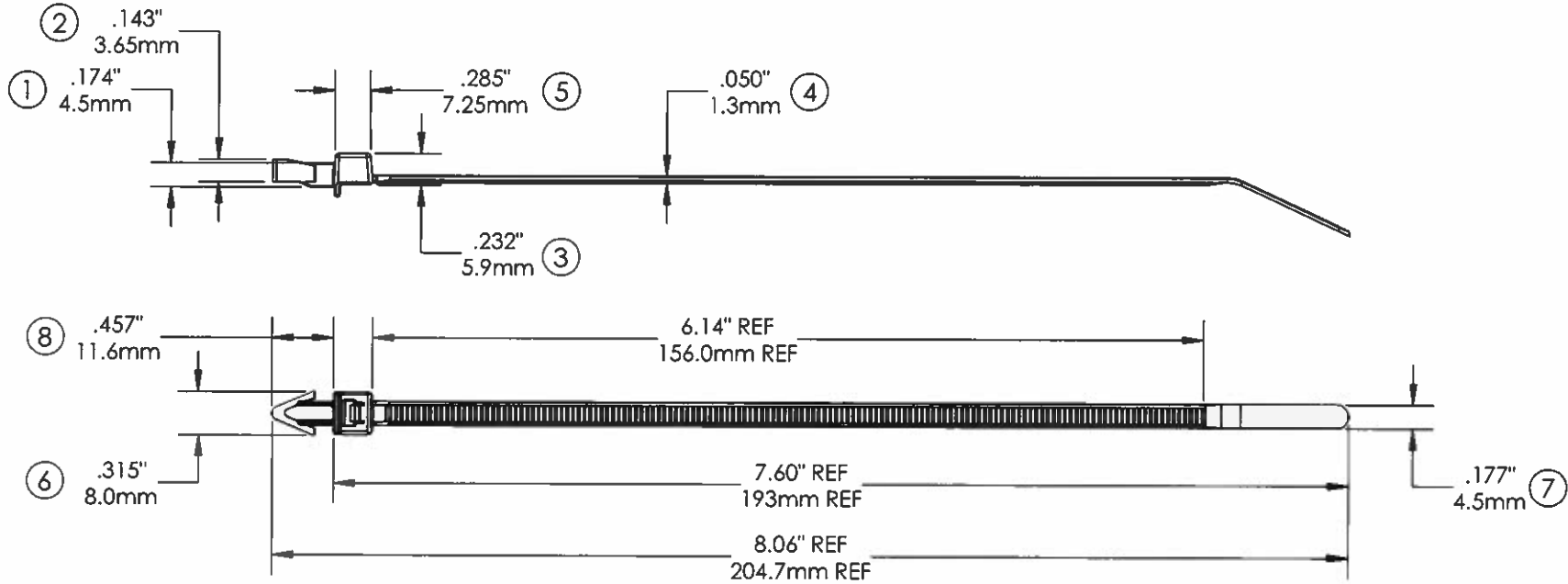


AVERY DENNISON MARKETING SPECIFICATION

HISTORY

REV.	DATE	DESCRIPTION
N	5.29.19	REDRAWN IN NEW FORMAT

THE SUBJECT MATTER DISCLOSED HEREIN EMBODIES PROPRIETARY INFORMATION WHICH IS THE CONFIDENTIAL PROPERTY OF THE AVERY DENNISON CO. NONE OF WHICH SHALL BE COPIED, REPRODUCED, DISCLOSED TO OTHERS, PUBLISHED OR USED IN WHOLE OR IN PART, FOR ANY PURPOSE OTHER THAN THAT FOR WHICH IT IS BEING MADE AVAILABLE WITHOUT THE EXPRESS ADVANCE WRITTEN PERMISSION OF A DULY AUTHORIZED AGENT OF THE COMPANY. THIS DOCUMENT IS THE PROPERTY OF THE AVERY DENNISON CO. AND IS TO BE RETURNED TO THE COMPANY ON DEMAND.



9	Δ FLAMMABILITY RATING:	HB RATED PER FMVSS302
10	Δ LOOP TENSILE STRENGTH:	50 LBF / 220N MIN PER AS-23190
	OPERATING TEMP RANGE:	-40°F (-40°C) TO 176°F TO (80°C)
	MIN. INSTALLATION TEMP:	32°F (0°C)
	WEIGHT:	.0454 OZ / 1.31 GM
	BUNDLE DIAMETER:	1.59MM - 44MM
	MOUNTING:	Ø1/4" HOLE IN 1/8" MAX THICK PANEL
	TOOL:	12001 - HAND INSTALLATION TOOL 12500 - PNEUMATIC INSTALLATION TOOL
	TOOL SETTING:	6 - 8
	PACKAGING:	1000/BAG, 5000/CASE

Δ = DENOTES SPECIAL CHARACTERISTICS

APPROVALS:	ENG. APPR. <i>Bert Uschold</i> 5.29.19
	Q.A. APPR. <i>Caitlin Vaillancourt</i> 5.29.19

SPECIFIED TOLERANCES ARE:	
.XX ± .03 INCHES	.X ± .7 mm
.XXX ± .010 INCHES	.XX ± .25 mm
ANGULAR: ± 2°	

MATERIAL	NYLON 6/6 WEATHER RESISTANT
COLOR	BLACK

	FASTENER DIVISION FITCHBURG, MA 01420 U.S.A. TEL 1-800-225-5913 FAX 978-353-8157
	DESCRIPTION 7.5" CABLE TIE, STANDARD, PUSH MOUNT STOCK NO. 08446-0 REV. M

